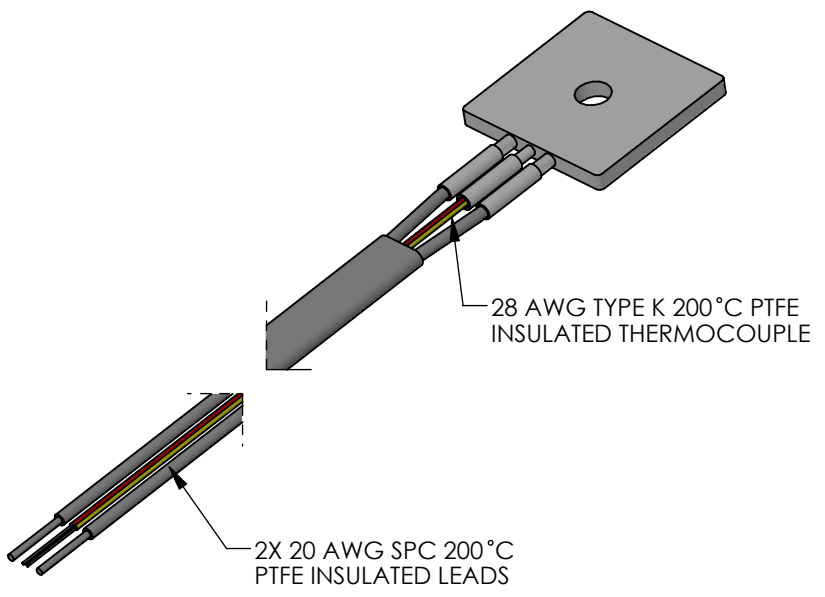


REVISION HISTORY				
REV.	ECO#	DESCRIPTION	DATE	BY
1		ORIGINAL RELEASE	08/27/2012	AVS



- NOTES:
1. VOLTAGE: 120 VOLTS
 2. POWER: 800 WATTS (NOMINAL) AT 25°C.
 3. RESISTANCE: 18 ± 4.5 OHMS AT 25°C.
 4. TCR: .00150 ± .00025 /°C.
 5. MAXIMUM TEMPERATURE: 400°C.

FINISH	
MATERIAL	AIN
CUSTOMER	Watlow sales

UNLESS OTHERWISE SPECIFIED, DIMENSIONS ARE IN INCHES & [MILLIMETERS] PER ASME Y14.5M-1994. TOLERANCES: FRACTIONS ±1/16" X ±0.1" .XX ± 0.01" & [.X] ± 0.3mm .XXX ± 0.005" & [.XX] ± 0.13mm .XXXX ± 0.0005" & [.XXX] ± 0.013mm ANGLES ±0.5°

CONFIDENTIAL: This drawing and all information associated therewith may contain the confidential information of Watlow, or its customers or suppliers, which is subject to patent, trademark, copyright, or trade secret protection. Neither this drawing or the information associated therewith should be reproduced, used, or disclosed to others without the prior written permission of Watlow. Copyright 2004 Watlow Electric Manufacturing Co. All rights reserved.

DWN:	AVS	08/27/2012
CHK:		
ENG:		
MFG:		
QA:		
PUR:		
 THIRD ANGLE PROJECTION		
CAD/REF. NO.	CER-1-01-00541	

12001 Lackland Road
St. Louis, MO 63146
PHONE 314-878-4600
FAX 314-878-6814

TITLE

ULTRAMIC 600
ADVANCED CERAMIC HEATER
CUSTOMER

SIZE	DWG. NO.	REV
A	CER-1-01-00541-CUSTOMER	1
SCALE	WEIGHT	SHEET
1:1		1 OF 1

FORM: TITLE BLOCK REV. A