

Heating tape PSBL



Terminal box



Installation kit



## System overview PSBL

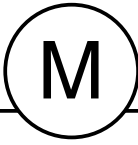
### Features

- Self-limiting, without overheating while overlapping
- Limiter is not required
- Easy installation due to on-site assembly
- Installation in commercial, industrial and Ex-area, maximum admissible work-piece temperature of +65 °C (switched on).
- Certificate for the system according to IEC/EN 60079-30-1
- Junction boxes made of polyester, stainless steel and aluminium available
- Calculation and design-software - Free Download
- Direct entry in a junction box possible

### Description

Typical applications are frost protection, temperature maintenance and heat-up in pipes, tanks, vessels or surfaces. The electric heating system PSBL is the perfect solution in Zone 1, 2, 21 and 22.

The self-limiting heating tape PSBL is available with various nominal power ratings from 10 W/m to 30 W/m at 10 °C. The standard outer insulation jacket is made of polyolefin. For special applications which require chemical resistance and mechanical strength a fluoropolymer insulation jacket is optionally available.



➔ **Explosion protection**

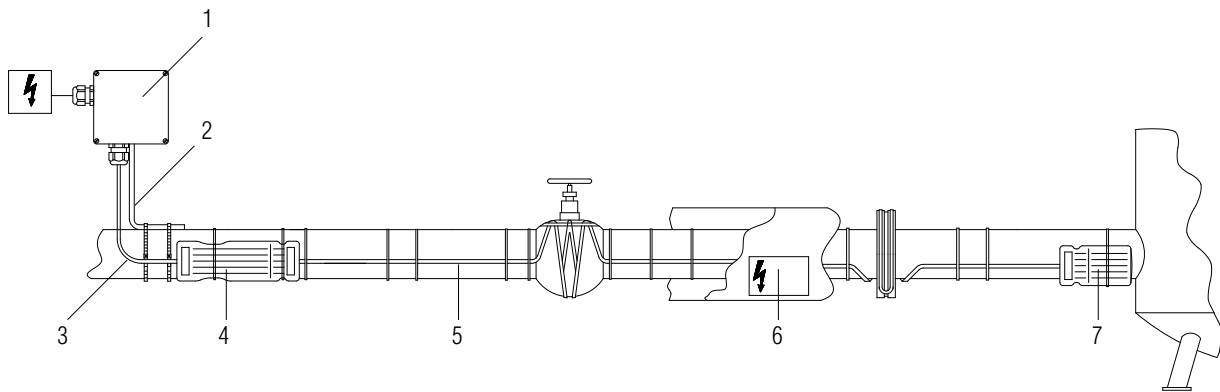
**Certification**

KEMA 08 ATEX 0112 X  
IECEX KEM 09.0085X  
TC RU C-DE.ГБ06.B.00230

**System overview**

- Self- limiting parallel heating tape PSBL
- Heat shrink technology or silicone cold applied technology or pluggable system PLEXO TCS connection and termination
- Junction box made of polyester, stainless steel and aluminium
- Optional: mechanical or electronic thermostats or control systems

**Application example PSBL heating system**



- |                                     |                                       |
|-------------------------------------|---------------------------------------|
| 1 Junction box                      | 5 Heating tape PSBL                   |
| 2 Mounting bracket                  | 6 Caution label "Electrically Heated" |
| 3 Connection cable for power supply | 7 End termination PLEXO TCS           |
| 4 Connection PLEXO TCS              |                                       |